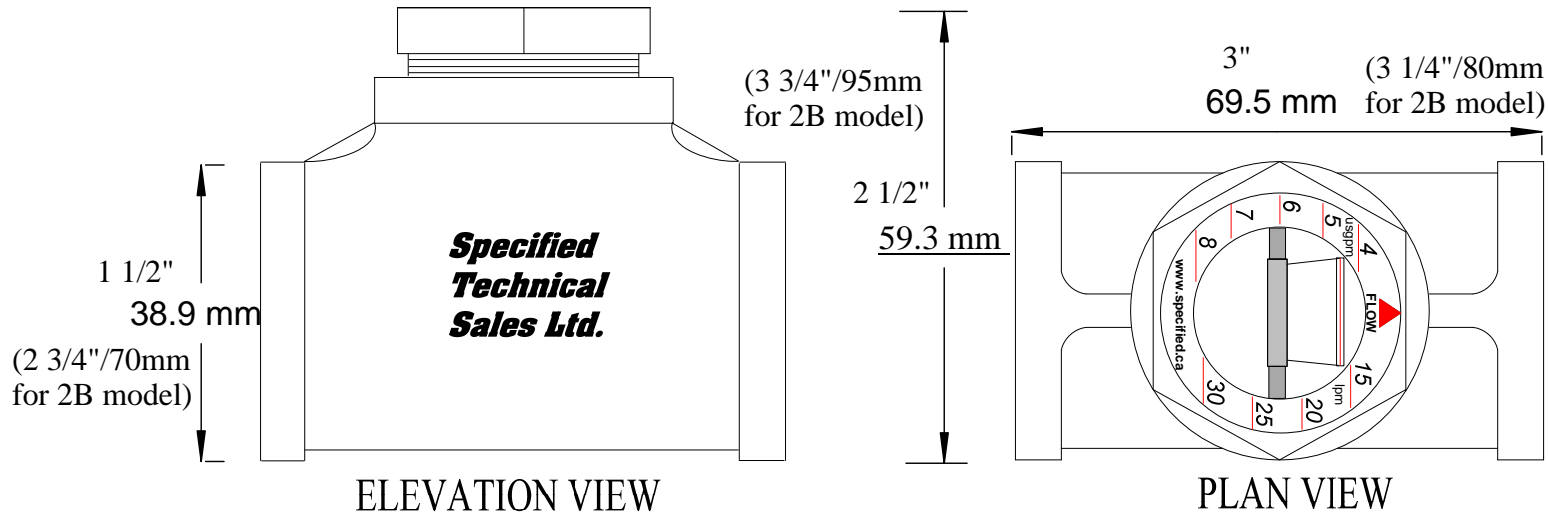


FILTER-MATE BRONZE flow indicator



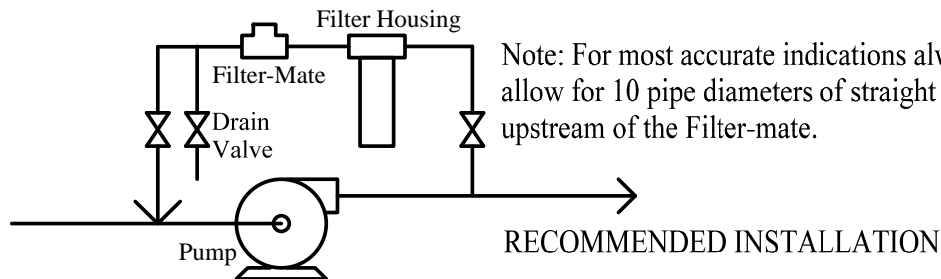
FEATURES:

Bronze body and S.S./ Nylon internals.
Metric and U.S. scales.
S.S. return spring.
Fused glass window.

BENEFITS:

Corrosion free service.
Maximum flow can be set to cartridge manufacturers recommendations eliminating media separation. (metering valve extra)
Can be installed vertically or horizontally.
No gaskets to leak.

Model	Size N.P.T	usgpm / lpm	P.S.I. / kPa	Max. Temp	Body Mat.	Cap Mat.	Int. Mat	Accuracy
Filter-Mate 3/4B	3/4" - 20mm bushings	4-8 / 15-30	150 / 1082	212F / 100C	Bronze	Plated Steel	Nylon / S.S.	+10%
Filter-Mate 1B	1" - 25mm	7-11 / 28-42	150 / 1082	212F / 100C	Bronze	Plated Steel	Nylon / S.S.	+10%
Filter-Mate 2B	2" - 50mm	25-60 / 100-220	150 / 1082	212F / 100C	Bronze	Plated Steel	Nylon / S.S.	+10%



Note: For most accurate indications always allow for 10 pipe diameters of straight pipe upstream of the Filter-mate.

Revisions

May, 2010

Specified Technical Sales Ltd.

Title: **Filter-Mate Flow Indicator
Bronze**

Drawn by: Christopher Wedge C.E.T. Not To Scale

Date: Aug 04/00

Drawing no. **ED 184B**